

Grade 304 stainless steel (grade 316 on request) - Sheet thk. 2 mm

Inoxsystem®

www.inoxsystem.it - info@inoxsystem.it
Inoxsystem® TOTAL HYGIENIC CHANNEL
GULLY WITH GRATING, EXT. DIM. 300X300 mm, OUTLET Ø 110 mm
WITH REMOVABLE CUP SHAPED ODOR TRAP & FILTER BASKET KIT
Central vertical outlet with odor trap and filter basket

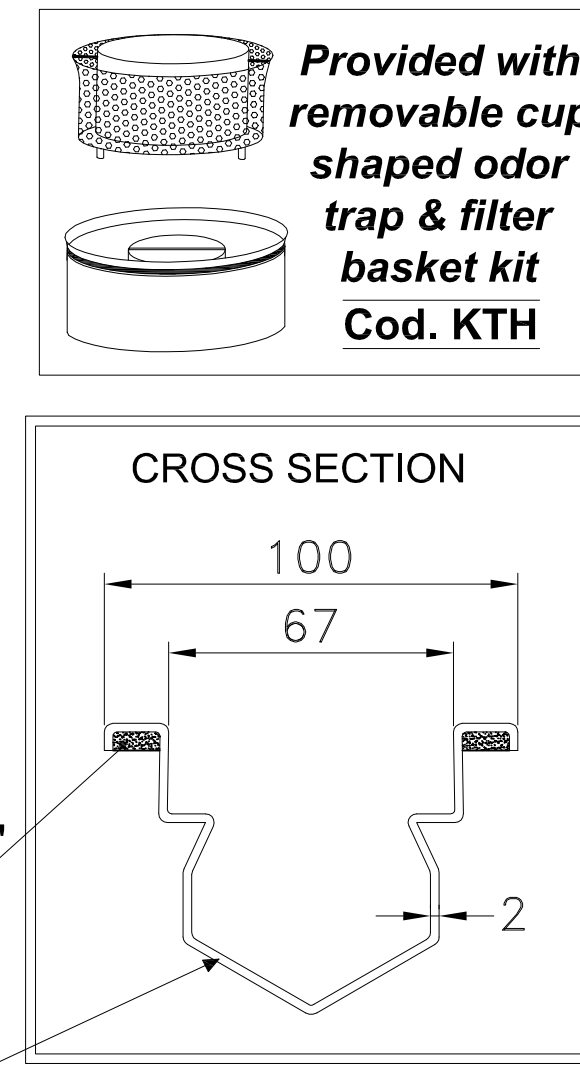
Composed of Art.:

- Channel with grating Art. "TH100" (See table at page 48 of the general catalogue - Section Total Hygienic)
- Gully with grating with removable odor trap and filter basket Art."CGV300110TH"*
- Floor drain - channel connection Art. "UITH"
- End cap Art. "TGTH"

Upon request:

- Epoxy filled edges Art. "BGR"
- Bolted flange connection Art. "FLG"

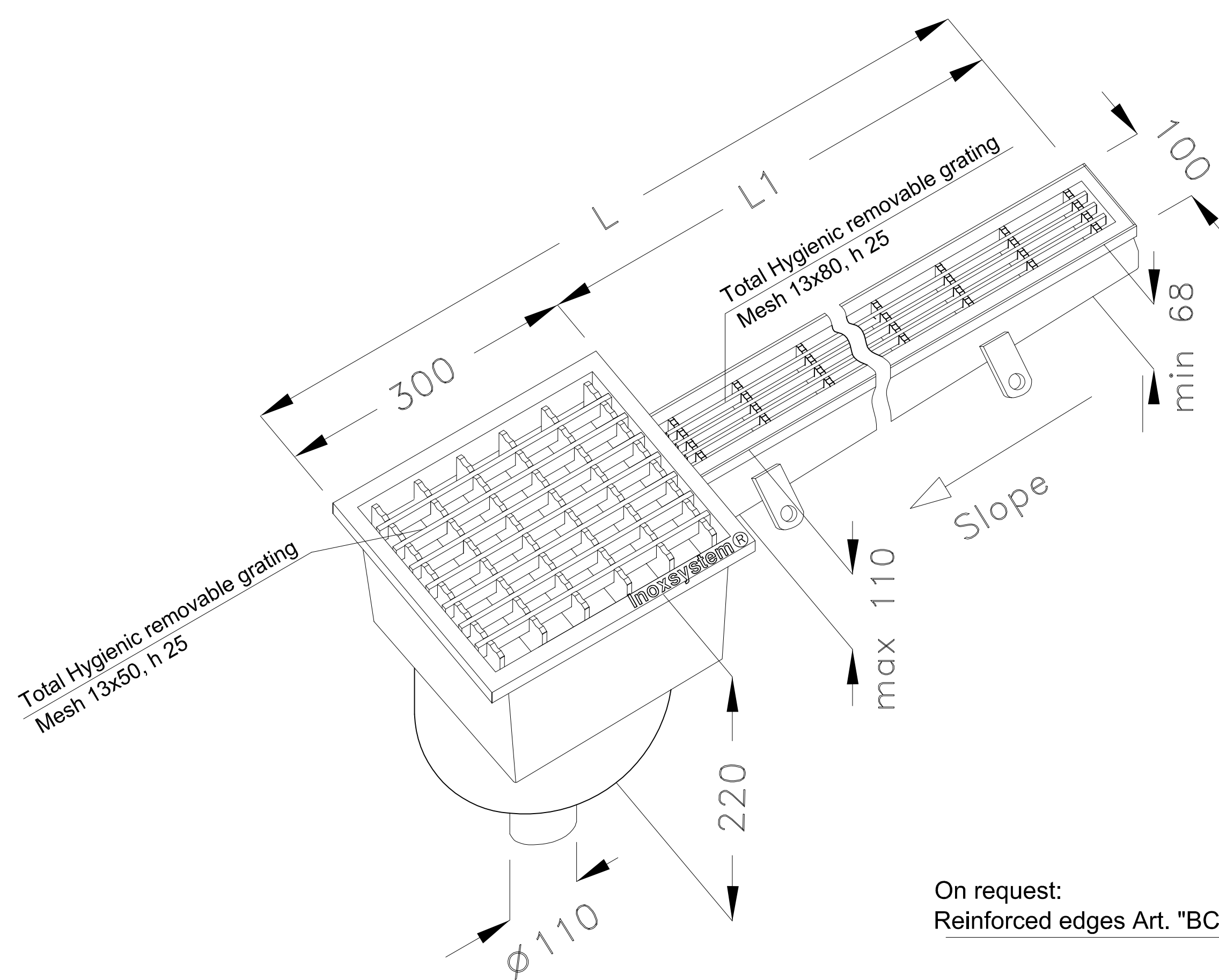
* all dimensions can be modified upon request



Inoxsystem® Dwg
4083

Art. CGVCGE

N.B.: all dimensions are in mm



Grade 304 stainless steel (grade 316 on request) - Sheet thk. 2 mm

Inoxsystem®

www.inoxsystem.it - info@inoxsystem.it
Inoxsystem® TOTAL HYGIENIC CHANNEL
GULLY WITH GRATING, EXT. DIM. 300X300 mm, OUTLET Ø 110 mm
WITH REMOVABLE CUP SHAPED ODOR TRAP & FILTER BASKET KIT
End vertical outlet with odor trap and filter basket

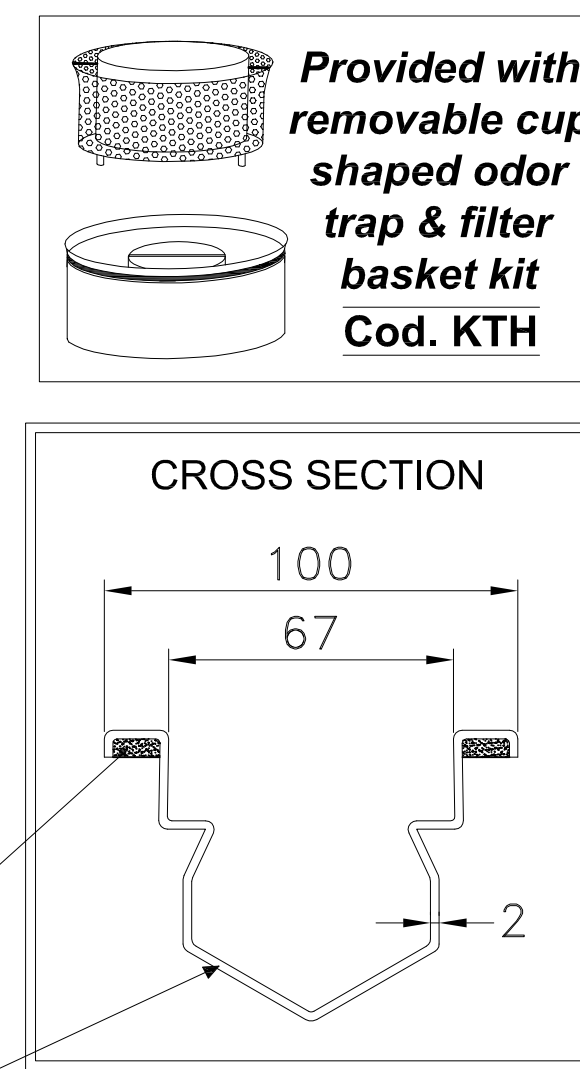
Composed of Art.:

- Channel with grating Art. "TH100" (See table at page 48 of the general catalogue - Section Total Hygienic)
- Gully with grating with removable odor trap and filter basket Art."CGV300110TH"*
- End cap Art. "TGTH"

Upon request:

- Epoxy filled edges Art. "BGR"
- Bolted flange connection Art. "FLG"

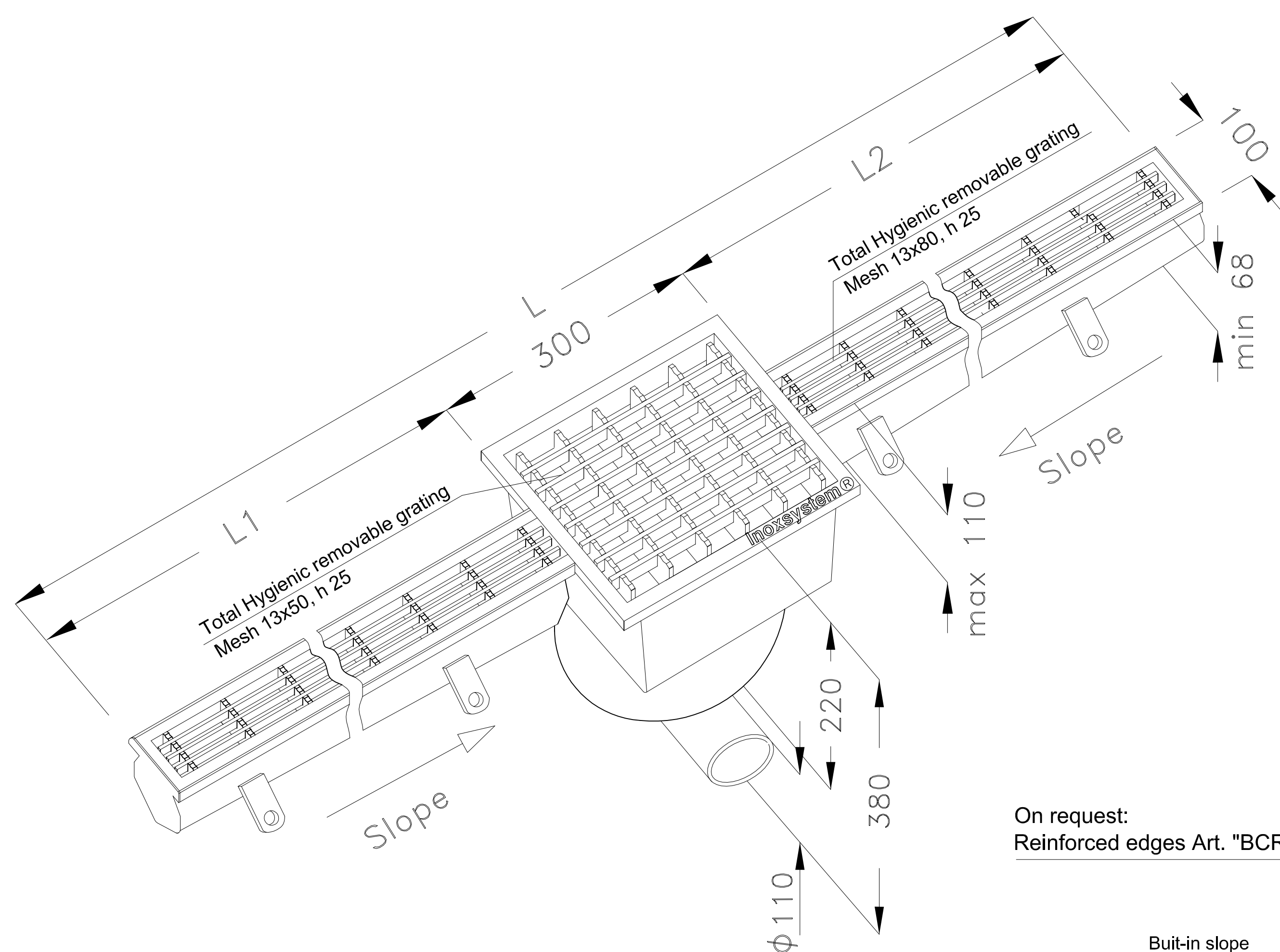
* all dimensions can be modified upon request



Inoxsystem® Dwg
4084

Art. CGVTCGE

N.B.: all dimensions are in mm



Grade 304 stainless steel (grade 316 on request) - Sheet thk. 2 mm

Inoxsystem®

www.inoxsystem.it - info@inoxsystem.it
Inoxsystem® TOTAL HYGIENIC CHANNEL
GULLY WITH GRATING, EXT. DIM. 300X300 mm, OUTLET Ø 110 mm
WITH REMOVABLE CUP SHAPED ODOR TRAP & FILTER BASKET KIT
Central horizontal outlet with odor trap and filter basket

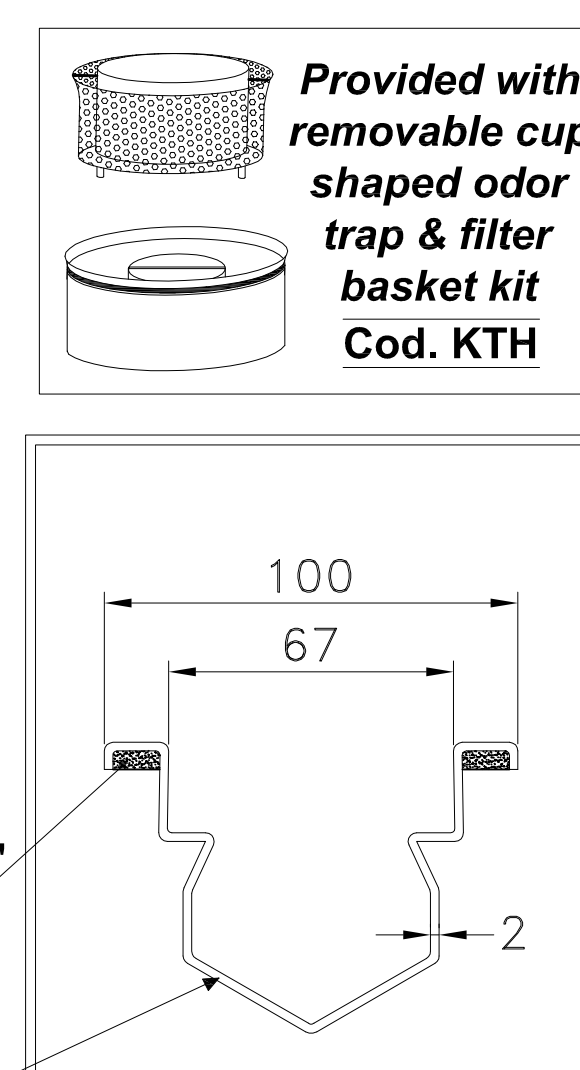
Composed of Art.:

- Channel with grating Art. "TH100" (See table at page 48 of the general catalogue - Section Total Hygienic)
- Gully with grating with removable odor trap and filter basket Art."URCGL300110TH"*
- Floor drain - channel connection Art. "UITH"
- End cap Art. "TGTH"

Upon request:

- Epoxy filled edges Art. "BGR"
- Bolted flange connection Art. "FLG"

* all dimensions can be modified upon request

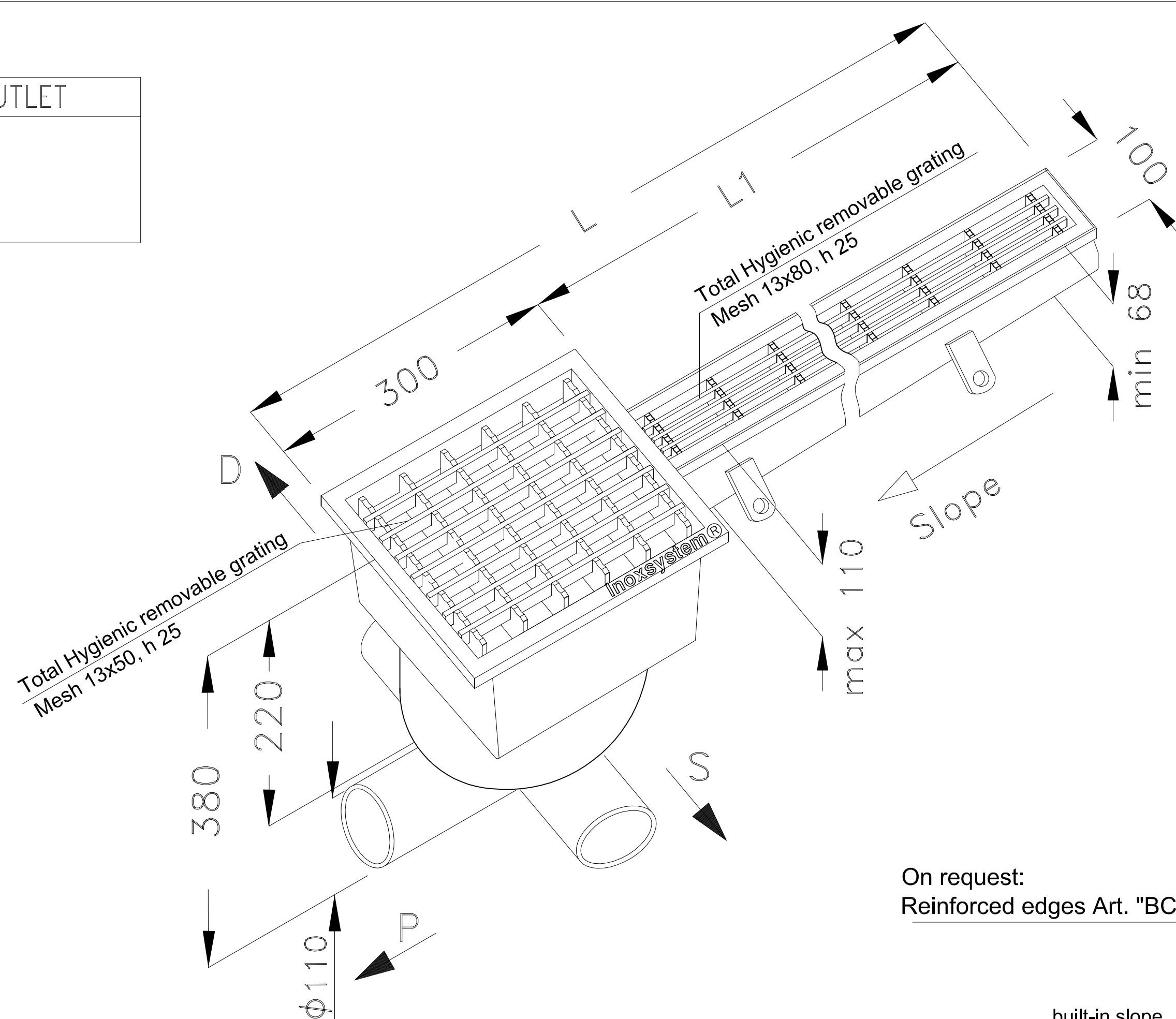


Inoxsystem® Dwg
4081

Art. CGOCGE

N.B.: all dimensions are in mm

DIRECTION OF THE OUTLET	
S	- LEFT
D	- RIGHT
P	- STRAIGHT



Grade 304 stainless steel (grade 316 on request) - Sheet thk. 2 mm

Inoxsystem®

www.inoxsystem.it - info@inoxsystem.it
Inoxsystem® TOTAL HYGIENIC CHANNEL
GULLY WITH GRATING, EXT. DIM. 300X300 mm, OUTLET Ø 110 mm
WITH REMOVABLE CUP SHAPED ODOR TRAP & FILTER BASKET KIT
End horizontal outlet with odor trap and filter basket

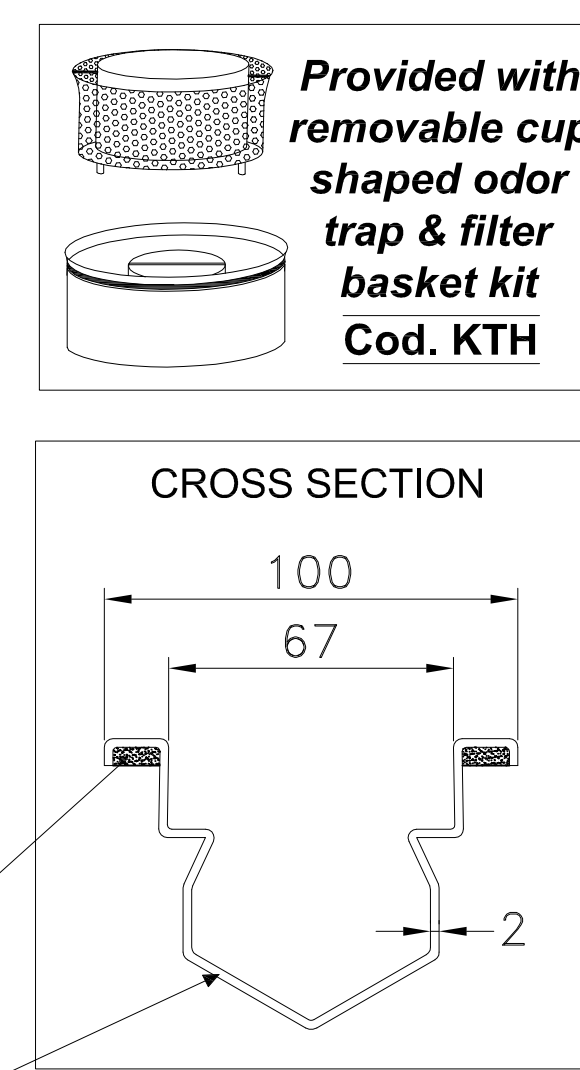
Composed of Art.:

- Channel with grating Art. "TH100" (See table at page 48 of the general catalogue - Section Total Hygienic)
- Gully with grating with removable odor trap and filter basket Art."URCGL300110TH"*
- End cap Art. "TGTH"

Upon request:

- Epoxy filled edges Art. "BGR"
- Bolted flange connection Art. "FLG"

* all dimensions can be modified upon request



Inoxsystem® Dwg
4082

Art. CGOTCGE

N.B.: all dimensions are in mm