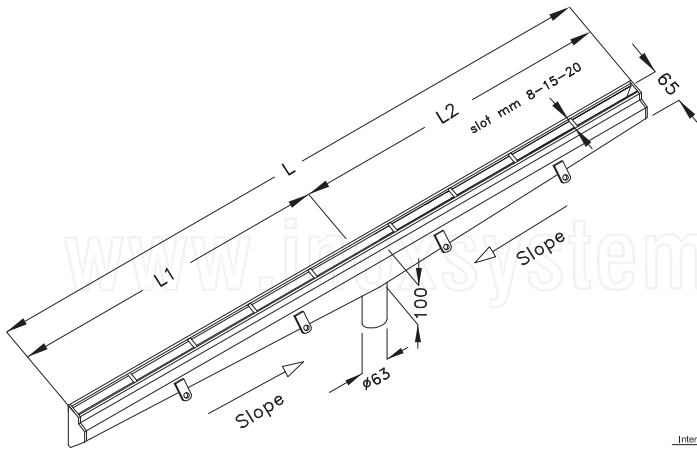


Line
1690

www.inoxsystem.it

Lateral slot channel with vertical edges with direct outlet Ø 63 mm without inspection gully and filter basket - no odor trap
All made in stainless steel Aisi 304 (Aisi 316 Upon request)



Inoxsystem®

www.inoxsystem.it - info@inoxsystem.it

SLOT CHANNEL WITH 8/15/20 mm LATERAL SLOT_VERTICAL EDGES WITH DIRECT OUTLET Ø 63 mm WITHOUT ODOR TRAP AND FILTER BASKET

Vertical outlet in the center

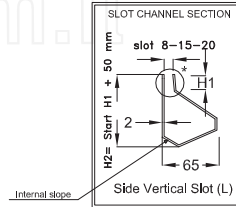
Made of Art.:

- Slot channel Art. "C2BDVL" or "C1BDVL"
- Vertical direct outlet Art. "SDV"
- Additional channel welding Art. "SF"

Upon request:

- Flanging for the transport Art. "FLC"

* all measures can be modified upon request



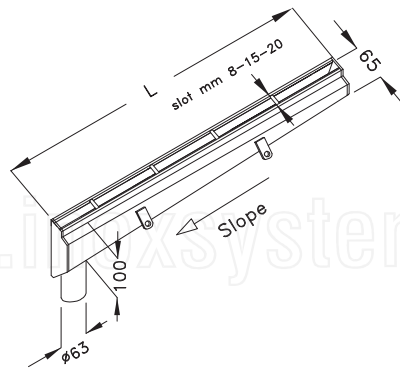
* TAPERED SLOT WITH VERTICAL EDGES DESIGNED TO PREVENT CLOGGING

Dwg Inoxsystem®
1693

Art. CFDVBDL

N.B.: all measures are in mm

All made in stainless steel 2 mm thickness
 Aisi 304/304L(EN 1.4301/1.4307) - Upon request Aisi 316/316L(EN 1.4401/1.4404)



Inoxsystem®

www.inoxsystem.it - info@inoxsystem.it

SLOT CHANNEL WITH 8/15/20 mm LATERAL SLOT_VERTICAL EDGES WITH DIRECT OUTLET Ø 63 mm WITHOUT ODOR TRAP AND FILTER BASKET

Vertical outlet on the head

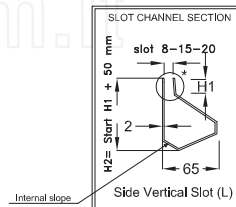
Made of Art.:

- Slot channel Art. "C2BDVL" or "C1BDVL"
- Vertical direct outlet Art. "SDV"

Upon request:

- Flanging for the transport Art. "FLC"

* all measures can be modified upon request



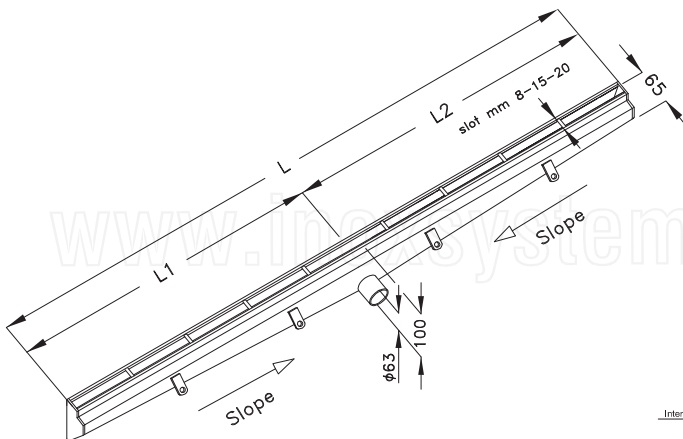
* TAPERED SLOT WITH VERTICAL EDGES DESIGNED TO PREVENT CLOGGING

Dwg Inoxsystem®
1694

Art. CFDVTBDL

N.B.: all measures are in mm

All made in stainless steel 2 mm thickness
 Aisi 304/304L(EN 1.4301/1.4307) - Upon request Aisi 316/316L(EN 1.4401/1.4404)



Inoxsystem®

www.inoxsystem.it - info@inoxsystem.it

SLOT CHANNEL WITH 8/15/20 mm LATERAL SLOT_VERTICAL EDGES WITH DIRECT OUTLET Ø 63 mm WITHOUT ODOR TRAP AND FILTER BASKET

Horizontal outlet in the center

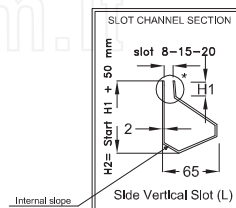
Made of Art.:

- Slot channel Art. "C2BDVL" or "C1BDVL"
- Horizontal direct outlet Art. "SDL"
- Additional channel welding Art. "SF"

Upon request:

- Flanging for the transport Art. "FLC"

* all measures can be modified upon request



* TAPERED SLOT WITH VERTICAL EDGES DESIGNED TO PREVENT CLOGGING

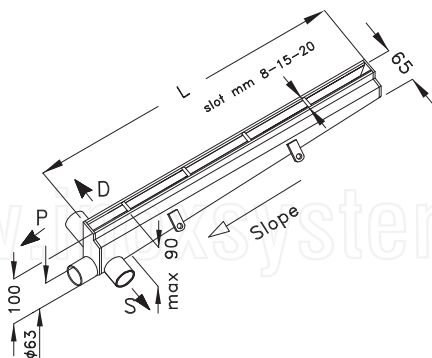
Dwg Inoxsystem®
1691

Art. CFDDBDL

N.B.: all measures are in mm

All made in stainless steel 2 mm thickness
 Aisi 304/304L(EN 1.4301/1.4307) - Upon request Aisi 316/316L(EN 1.4401/1.4404)

OUTLET PIPE ORIENTATION	
S	-LEFT
D	-RIGHT
P	-STRAIGHT



Inoxsystem®

www.inoxsystem.it - info@inoxsystem.it

SLOT CHANNEL WITH 8/15/20 mm LATERAL SLOT_VERTICAL EDGES WITH DIRECT OUTLET Ø 63 mm WITHOUT ODOR TRAP AND FILTER BASKET

Horizontal outlet on the head

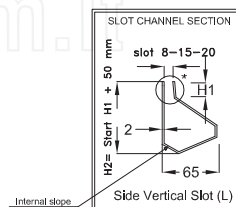
Made of Art.:

- Slot channel Art. "C2BDVL" or "C1BDVL"
- Horizontal direct outlet Art. "SDL"

Upon request:

- Flanging for the transport Art. "FLC"

* all measures can be modified upon request



* TAPERED SLOT WITH VERTICAL EDGES DESIGNED TO PREVENT CLOGGING

Dwg Inoxsystem®
1692

Art. CFDOTBDL

N.B.: all measures are in mm

All made in stainless steel 2 mm thickness
 Aisi 304/304L(EN 1.4301/1.4307) - Upon request Aisi 316/316L(EN 1.4401/1.4404)