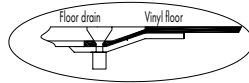


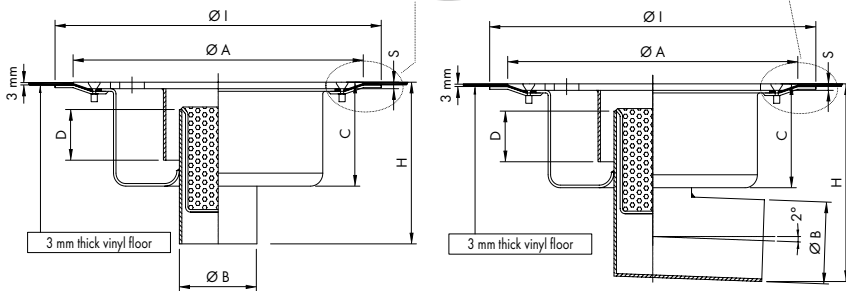
made of grade 304 stainless steel - grade 316 on request

Floor drains with clamping flange for PVC flooring.

Dwg. No. 0113TPVC



Dwg. No. 0010TPVC

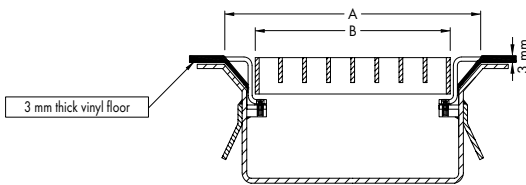


Article	DIMENSIONS IN mm							FLOW RATE l/min	LOAD CAPACITY IN Kg		
	Ø A	S	Ø B	C	I	D	H		CONCENTRATED LOAD	DISTRIBUTED LOAD	
R=low profile											
R50V206TPVC	225	6	50	50	265	20	90	50	1000	10000	
63V206TPVC	225	6	63	75	265	40	120	60	1000	10000	

Article	DIMENSIONS IN mm							FLOW RATE l/min	LOAD CAPACITY IN Kg		
	Ø A	S	Ø B	C	I	D	H		CONCENTRATED LOAD	DISTRIBUTED LOAD	
R=low profile											
R50L206TPVC	225	6	50	50	265	20	105	50	1000	10000	
63L206TPVC	225	6	63	75	265	40	140	60	1000	10000	

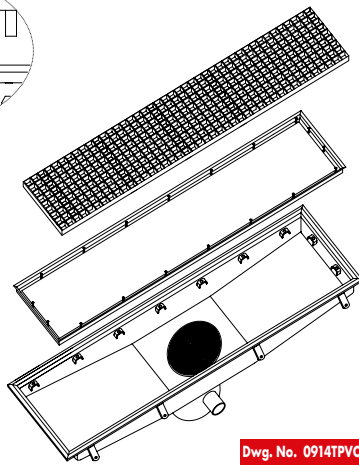
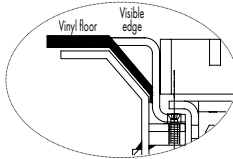
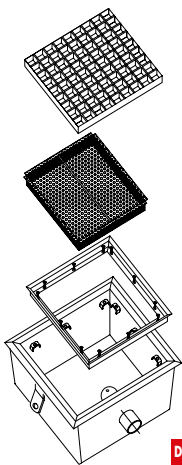
Gullies and channels with grating with clamping flange for PVC flooring*

* suitable for all articles at page 18 and 19.



Gully with grating

Channel with grating



Dwg. No. 0412TPVC

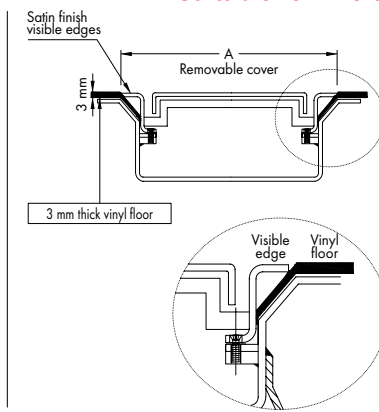
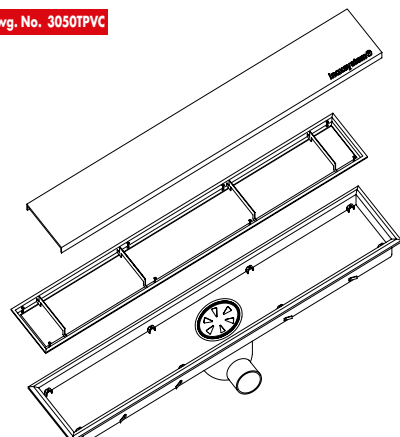
Dwg. No. 0914TPVC



Linear shower drains Italia with clamping flange for PVC flooring*

* suitable for line 3050 at page 38 and line 3150 at page 39.

Dwg. No. 3050TPVC



Dimensions can be modified on request.

These technical drawings are property of INOXSYSTEM® and cannot be copied or reproduced without our prior written permission.