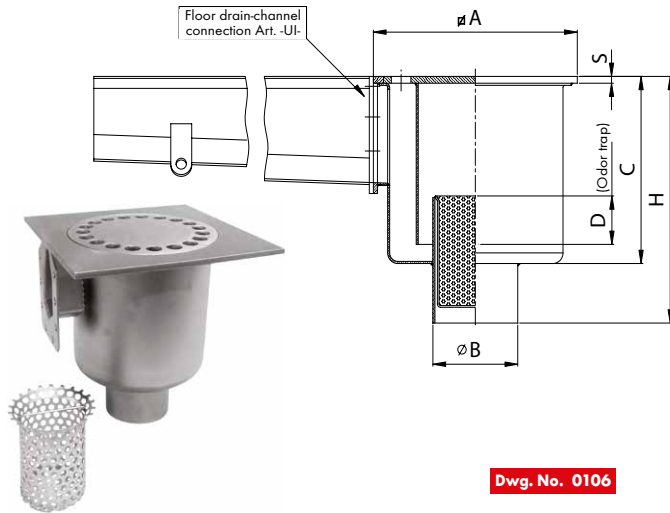


made of grade 304 stainless steel - grade 316 on request

Floor drains with odor trap suitable for slot channels*

* suitable also for channels with grating on request (see page 16).

FLOOR DRAIN WITH VERTICAL OUTLET AND SEPARATED FILTER BASKET WITH ONE FLOOR DRAIN - CHANNEL CONNECTION



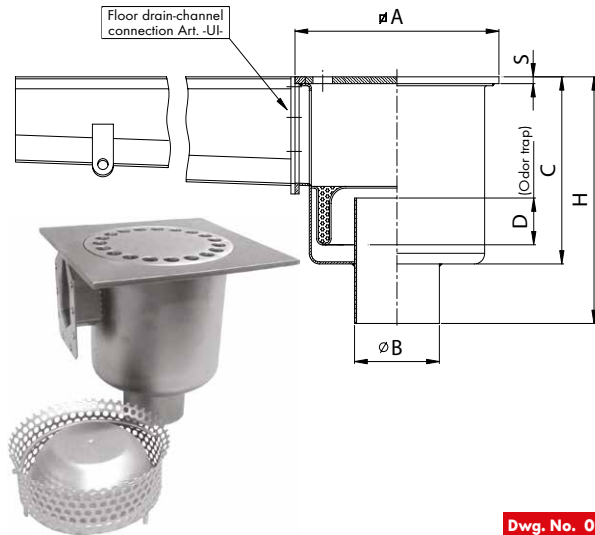
Dwg. No. 0106

Floor drains with removable odor trap available on request (see Total Hygienic catalogue)
N.B. The floor drains heights specified in the table below are suitable for channels with maximum length 12 l/m

Article	DIMENSIONS IN mm						FLOW RATE lt/min	LOAD CAPACITY IN Kg		
	Ø A	S	Ø B	C	D	H		CONCENTRATED LOAD	DISTRIBUTED LOAD	
RCV 50 156	150	6	50	140	20	190	40	1000	10000	Ultra-low profile
RCV 63 206	200	6	63	140	20	190	60	1000	10000	Ultra-low profile
RCV 63 256	250	6	63	140	20	190	60	950	8500	Ultra-low profile
RCV 110 258	250	8	110	140	20	190	135	1000	10000	Ultra-low profile
CV 104 258	250	8	104	220	50	290	135	1200	12000	
CV 104 306	300	6	104	220	50	290	135	950	8500	
CV 110 308	300	8	110	220	50	290	135	1000	10000	Recommended
CV 160 358	350	8	160	250	50	350	220	900	8000	Deep profile

N.B. water seal depth (dimension D) of 50 mm in compliance with standard UNI EN 1253-1

FLOOR DRAIN WITH VERTICAL OUTLET AND FILTER BASKET INCORPORATED INTO THE BELL TRAP, WITH ONE FLOOR DRAIN - CHANNEL CONNECTION



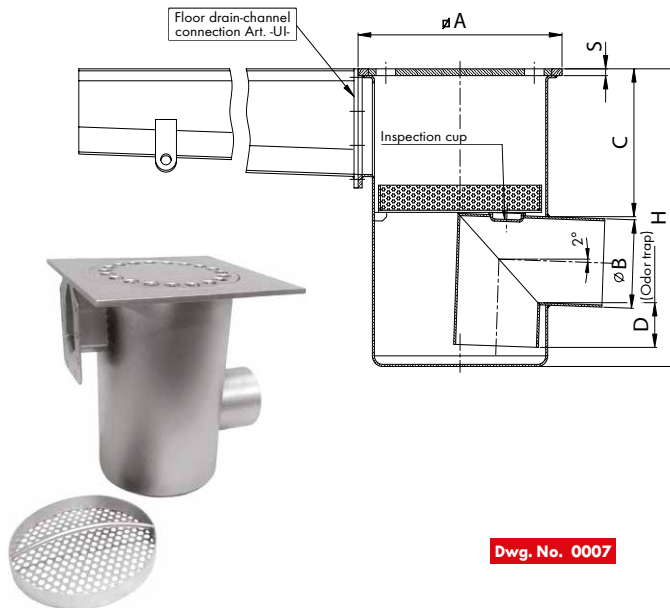
Dwg. No. 0109

Floor drains with removable odor trap available on request (see Total Hygienic catalogue)
N.B. The floor drains heights specified in the table below are suitable for channels with maximum length 12 l/m

Article	DIMENSIONS IN mm						FLOW RATE lt/min	LOAD CAPACITY IN Kg		
	Ø A	S	Ø B	C	D	H		CONCENTRATED LOAD	DISTRIBUTED LOAD	
RCV 110 CE 258	250	8	110	140	20	190	135	1000	10000	Ultra-low profile
RCV 63 CE 308	300	8	63	140	20	190	60	1000	10000	Ultra-low profile
CV 104 CE 308	300	8	104	220	50	290	135	1000	10000	
CV 110 CE 308	300	8	110	220	50	290	135	1000	10000	Recommended
CV 160 CE 358	350	8	160	250	50	320	220	900	8000	Deep profile

N.B. water seal depth (dimension D) of 50 mm in compliance with standard UNI EN 1253-1

FLOOR DRAIN WITH HORIZONTAL OUTLET AND FILTER BASKET WITH ONE FLOOR DRAIN - CHANNEL CONNECTION



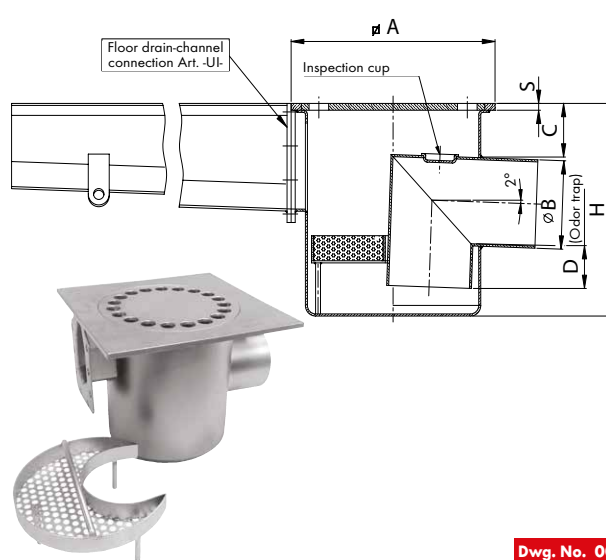
Dwg. No. 0007

N.B. The floor drains heights specified in the table below are suitable for channels with maximum length 12 l/m

Article	DIMENSIONS IN mm						FLOW RATE lt/min	LOAD CAPACITY IN Kg		
	Ø A	S	Ø B	C	D	H		CONCENTRATED LOAD	DISTRIBUTED LOAD	
CL 104 258	250	8	104	170	50	350	135	1000	10000	
CL 104 308	300	8	104	170	50	350	135	1000	10000	
CL 110 308	300	8	110	170	50	350	135	1000	10000	

N.B. water seal depth (dimension D) of 50 mm in compliance with standard UNI EN 1253-1

FLOOR DRAIN WITH HORIZONTAL OUTLET AND FILTER BASKET WITH ONE FLOOR DRAIN - CHANNEL CONNECTION



Dwg. No. 0006

N.B. The floor drains heights specified in the table below are suitable for channels with maximum length 12 l/m

Article	DIMENSIONS IN mm						FLOW RATE lt/min	LOAD CAPACITY IN Kg		
	Ø A	S	Ø B	C	D	H		CONCENTRATED LOAD	DISTRIBUTED LOAD	
CLR 50 156	150	6	50	40	15	120	40	1000	10000	Ultra-low profile
CLR 63 206	200	6	63	30	20	140	60	1000	10000	Ultra-low profile
CLR 104 258	250	8	104	50	30	220	135	1000	10000	
CLR 63 308	300	8	63	35	20	140	60	1000	10000	Ultra-low profile
CLR 104 308	300	8	104	50	30	220	135	1000	10000	
CLR 110 308	300	8	110	50	30	220	135	1000	10000	Recommended
CLR 160 358	350	8	160	50	40	300	220	900	8000	Deep profile

N.B. water seal depth (dimension D) of 50 mm in compliance with standard UNI EN 1253-1

See page 32 lines 1050, 1060 and 1070

Dimensions can be modified on request.

These technical drawings are property of INOXSYSTEM® and cannot be copied or reproduced without our prior written permission.