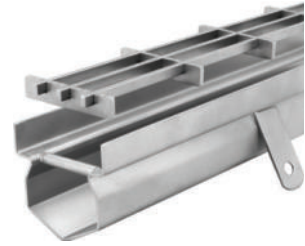
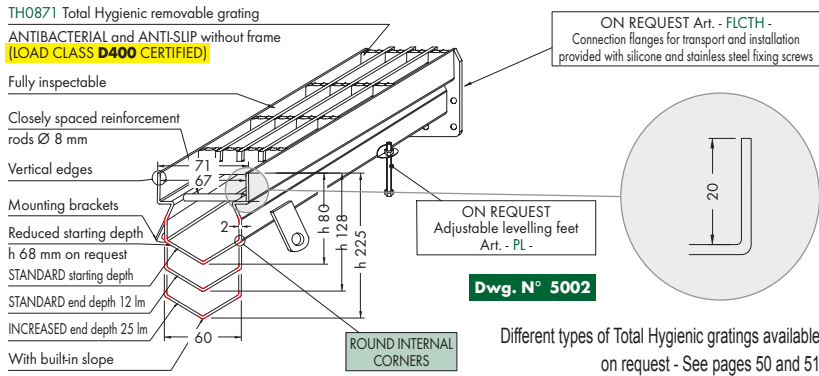


made in stainless steel AISI 304 - AISI 316 upon request

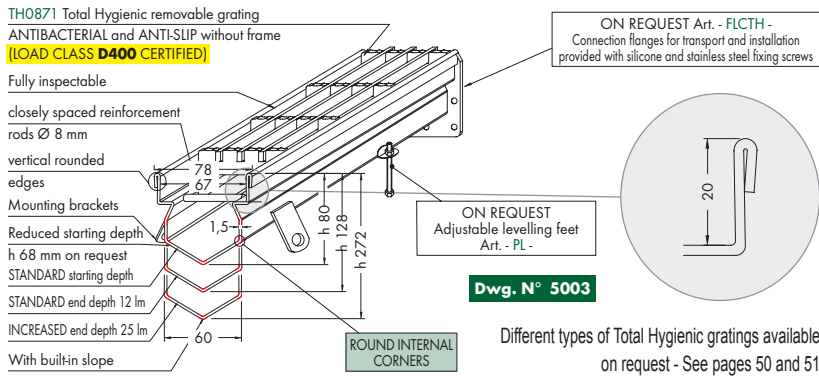
70 mm wide Inoxsystem® Total Hygienic channel with vertical edges.



Article	Description
TH70BDV	71 mm wide Inoxsystem® Total Hygienic channel with discreet slot with vertical edges, provided with TotalHygienic multi slot grating. Entirely made of 4 mm thick stainless steel, this grating is removable, without frame, with anti slip serrated micro-shot peened surface, rated for heavy equipment use.

See page 48
for accessories

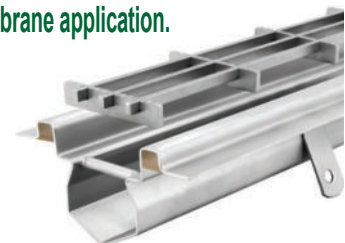
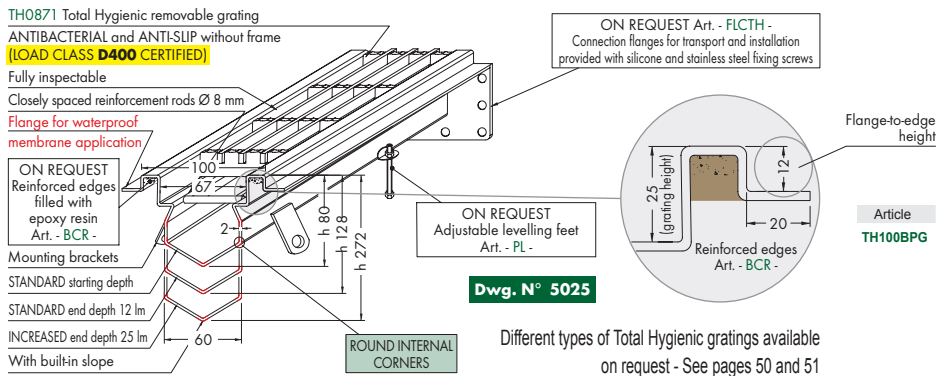
78 mm wide Inoxsystem® Total Hygienic channel with vertical ROUNDED edges.



Article	Description
TH80PS	78 mm wide Inoxsystem® Total Hygienic channel with discreet slot with vertical rounded edges, provided with TotalHygienic multi slot grating. Entirely made of 4 mm thick stainless steel, this grating is removable, without frame, with anti slip serrated micro-shot peened surface, rated for heavy equipment use.

See page 48
for accessories

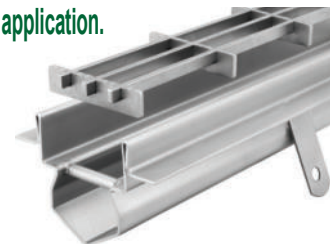
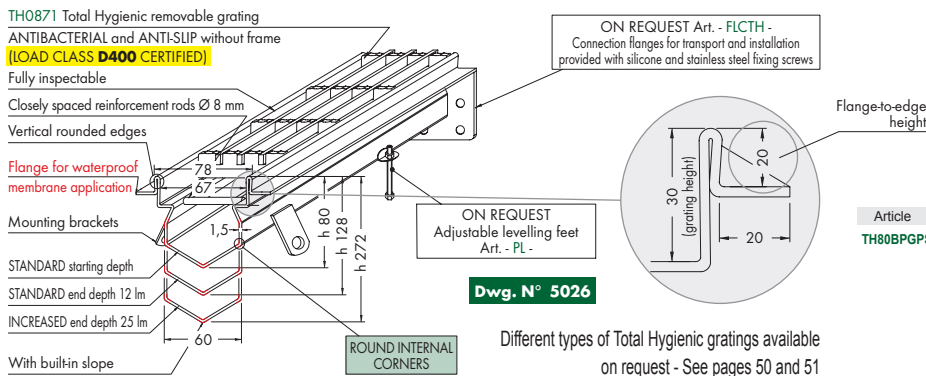
100 mm wide Inoxsystem® Total Hygienic channel with visible frame edge and flange for waterproof membrane application.



Article	Description
TH100BPG	100 mm wide Inoxsystem® Total Hygienic channel with satin finished top edge and flange for waterproof membrane application, provided with TotalHygienic multi slot grating. Entirely made of 4 mm thick stainless steel, this grating is removable, without frame, with anti slip serrated micro-shot peened surface, rated for heavy equipment use.

See page 48
for accessories

78 mm wide Inoxsystem® Total Hygienic channel with vertical rounded edges and flange for waterproof membrane application.



Article	Description
TH80BPGPS	71 mm wide Inoxsystem® Total Hygienic channel with discreet slot with vertical rounded edges and flange for waterproof membrane application, provided with Total Hygienic multi slot grating. Entirely made of 4 mm thick stainless steel, this grating is removable, without frame, with anti slip serrated micro-shot peened surface, rated for heavy equipment use.

See page 48
for accessories

