

Line  
3030.60  
www.inoxsystem.it

**Linear drain "ITALIA Idrain" with double slot with flattened edges and waterproof membrane holder, outlet pipe with odor trap and removable filter basket (Idrain type)**  
**Entirely made of Aisi 304 stainless steel (Aisi 316 Upon request)**

**Inoxsystem®**

www.inoxsystem.it - info@inoxsystem.it  
**LINEAR DRAIN "ITALIA Idrain" WITH FLATTENED EDGES**  
**WATERPROOF MEMBRANE HOLDER**  
**REMOVABLE ODOR TRAP AND FILTER BASKET**  
 Vertical outlet in the center

**Made of Art.:**

- Linear drain Italia Idrain Art. "ID60BPGPS"
- Outlet pipe with removable odor trap and filter Art."IDSFE50V" (≠ Ø 50)
- Outlet pipe with removable odor trap and filter Art."IDSFE75V" (≠ Ø 75)
- Welded end cap Art. "IDTC"
- Further channel welding Art. "IDSC"

**Upon request:**

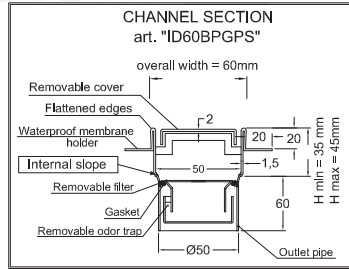
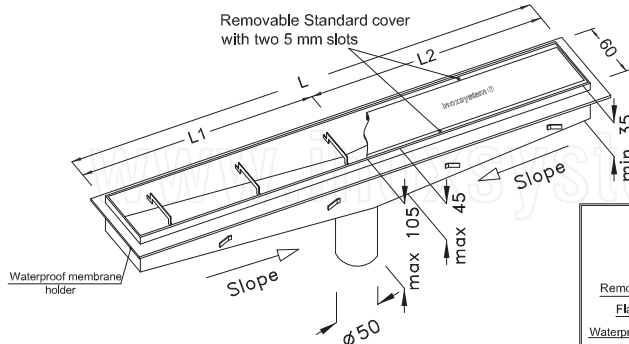
- Connection flanges Art. "IDFL"
- Corner weld Art. "IDA90"

\* all dimensions can be modified upon request

Dwg. Inoxsystem®  
3033.60

Art. CISVBPGPS

N.B.: dimensions in mm



Flow rate 12 lt/mIn  
 On request - outlet with Ø 75 mm - flow rate 18 lt/mIn  
 - Other cover patterns available  
 Aisi 304 stainless steel (Aisi 316 on request) - Sheet thickness 1.5 mm

**Inoxsystem®**

www.inoxsystem.it - info@inoxsystem.it  
**LINEAR DRAIN "ITALIA Idrain" WITH FLATTENED EDGES**  
**WATERPROOF MEMBRANE HOLDER**  
**REMOVABLE ODOR TRAP AND FILTER BASKET**  
 Vertical outlet on the head

**Made of Art.:**

- Linear drain Italia Idrain Art. ID160BPGPS"
- Outlet pipe with removable odor trap and filter Art."IDSFE50V" (≠ Ø 50)
- Outlet pipe with removable odor trap and filter Art."IDSFE75V" (≠ Ø 75)
- Welded end cap Art. "IDTC"

**Upon request:**

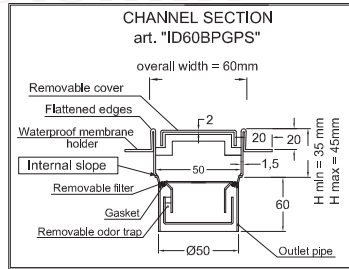
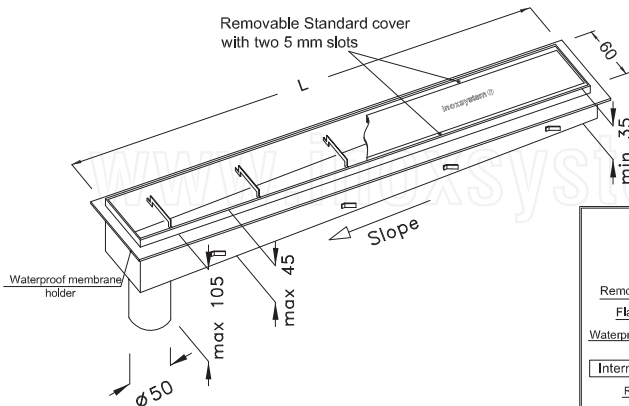
- Connection flanges Art. "IDFL"
- Corner weld Art. "IDA90"

\* all dimensions can be modified upon request

Dwg. Inoxsystem®  
3034.60

Art. CISVTBPGPS

N.B.: dimensions in mm



Flow rate 12 lt/mIn  
 On request - outlet with Ø 75 mm - flow rate 18 lt/mIn  
 - Other cover patterns available  
 Aisi 304 stainless steel (Aisi 316 on request) - Sheet thickness 1.5 mm

**Inoxsystem®**

www.inoxsystem.it - info@inoxsystem.it  
**LINEAR DRAIN "ITALIA Idrain" WITH FLATTENED EDGES**  
**WATERPROOF MEMBRANE HOLDER**  
**REMOVABLE ODOR TRAP AND FILTER BASKET**  
 Horizontal outlet on the head

**Made of Art.:**

- Linear drain Italia Idrain Art. "ID60BPGPS"
- Outlet pipe with removable odor trap and filter Art."IDSFE40L" (≠ Ø 40)
- Outlet pipe with removable odor trap and filter Art."IDSFE50L" (≠ Ø 50)
- Welded end cap Art. "IDTC"
- Further channel welding Art. "IDSC"

**Upon request:**

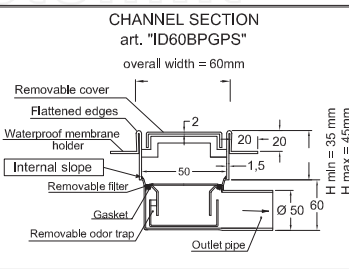
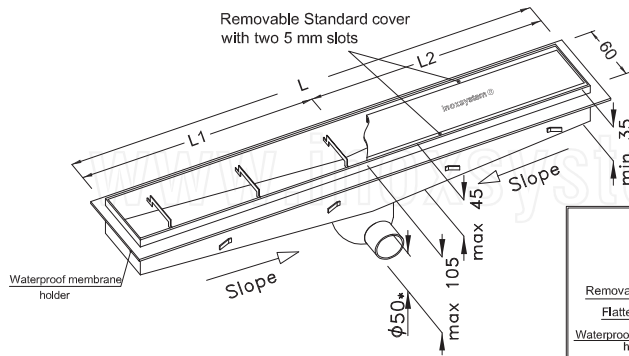
- Connection flanges Art. "IDFL"
- Corner weld Art. "IDA90"

\* all dimensions can be modified upon request

Dwg. Inoxsystem®  
3031.60

Art. CISOBPGPS

N.B.: dimensions in mm



Flow rate 18 lt/mIn  
 On request - outlet with Ø 40 mm - with same flow rate  
 - Other cover patterns available  
 Aisi 304 stainless steel (Aisi 316 on request) - Sheet thickness 1.5 mm

**Inoxsystem®**

www.inoxsystem.it - info@inoxsystem.it  
**LINEAR DRAIN "ITALIA Idrain" WITH FLATTENED EDGES**  
**WATERPROOF MEMBRANE HOLDER**  
**REMOVABLE ODOR TRAP AND FILTER BASKET**  
 Horizontal outlet on the head

**Made of Art.:**

- Linear drain Italia Idrain Art. "ID60BPGPS"
- Outlet pipe with removable odor trap and filter Art."IDSFE40L" (≠ Ø 40)
- Outlet pipe with removable odor trap and filter Art."IDSFE50L" (≠ Ø 50)
- Welded end cap Art. "IDTC"

**Upon request:**

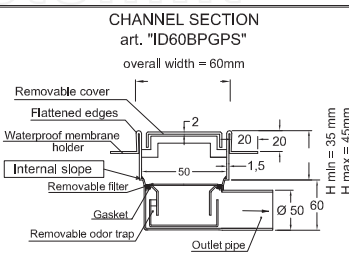
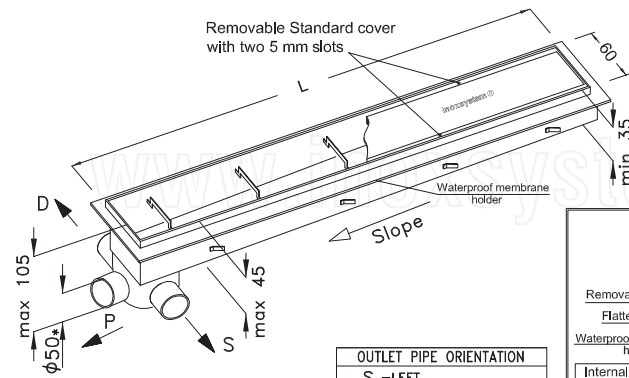
- Connection flanges Art. "IDFL"
- Corner weld Art. "IDA90"

\* all dimensions can be modified upon request

Dwg. Inoxsystem®  
3032.60

Art. CISOTBPGPS

N.B.: dimensions in mm



Flow rate 18 lt/mIn  
 On request - outlet with Ø 40 mm - with same flow rate  
 - Other cover patterns available  
 Aisi 304 stainless steel (Aisi 316 on request) - Sheet thickness 1.5 mm